



VRLA Rechargeable Battery

SHR10-6



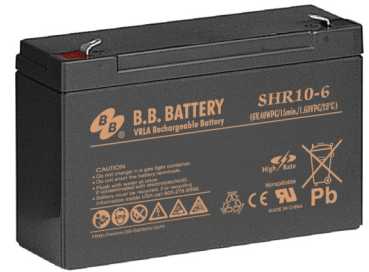
Measures Technology Values Innovation

FEATURES

- Maintenance free(no water topping-up required)
- No free acid(Non-spillable battery)
- Can be used in any orientation(excluding used inverted)
- The battery is designed for high rate usage
- Absorbent Glass Mat technology for efficient gas recombination
- The power density at 2 min~15min discharging
- rate is 50% higher than BP series


APPLICATIONS

- UPS
- Fishing Lights
- Power Packs
- Emergency Lights
- Toy-Cars




SPECIFICATIONS

Nominal Voltage	6 V
Nominal Capacity	15 Min Rate (40W, 1.60V/Cell)
Approx. Weight	1410g(3.11lbs.)
Terminals	T2 (Faston Tab 250) T1 is optional
Internal Resistance	≤ 6mΩ (Fully Charged)
Max. Discharge Current	130 A (5 sec.)
Max. Charge Current	2.7 A
Operating Temperature Range	Charge : 0°C~40°C(32°F~104°F) Discharge : -20°C~50°C(-4°F~122°F) Storage. : -20°C~40°C(-4°F~104°F)
Container Material	Standard: ABS(UL94 HB) SHR10-6 Optional: Flame Retardant ABS(UL94 V-0) SHR10-6FR

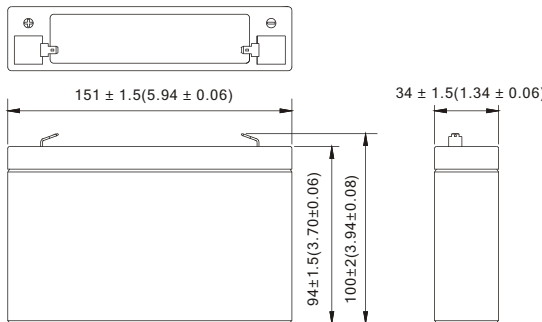
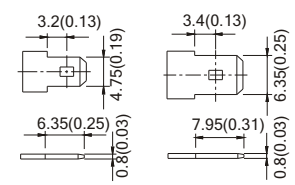


MH19884



C4M20310-2474-E-16

- IEC 61056-1
- JIS C 8702-1
- GB/T 19639.1

DIMENSION(mm/inch)	OUTER DIMENSIONS	TERMINAL TYPE
<ul style="list-style-type: none"> ■ Length 151±1.5 (5.94±0.06) ■ Width 34±1.5 (1.34±0.06) ■ Container Height 94±1.5 (3.70±0.06) ■ Total Height 100±2.0 (3.94±0.08) 		<ul style="list-style-type: none"> ● Terminal T1 ● Terminal T2 

Constant power discharge characteristics at 25 °C/77 °F												Unit: W
F.V. (V/cell) \ Discharge Time	2 Min	3 Min	5 Min	10 Min	15 Min	20 Min	30 Min	40 Min	50 Min	60 Min	120 Min	
1.80V	380	304	225	147	114	93	68.3	49.8	43.4	38.9	21.0	
1.75V	408	327	242	156	116	95	69.8	51.2	44.5	39.5	21.3	
1.70V	429	343	251	159	118	97	70.5	51.8	44.9	39.7	21.4	
1.67V	438	353	260	163	119	98	71.2	52.4	45.3	39.8	21.7	
1.60V	446	362	270	166	120	99	71.7	53.0	45.6	40.0	21.7	
1.50V	451	366	272	167	120	99	71.9	53.1	45.7	40.1	21.8	

Constant current discharge characteristics at 25 °C/77 °F												Unit: A
F.V. (V/cell) \ Discharge Time	2 Min	3 Min	5 Min	10 Min	15 Min	20 Min	30 Min	40 Min	50 Min	60 Min	120 Min	
1.80V	70.0	55.8	40.4	25.7	19.71	15.88	11.58	8.46	7.29	6.54	3.50	
1.75V	75.2	60.3	43.8	27.4	20.10	16.34	11.90	8.70	7.50	6.65	3.56	
1.70V	79.3	63.4	45.4	28.0	20.38	16.59	12.01	8.93	7.56	6.68	3.57	
1.67V	81.1	65.2	47.2	28.7	20.67	16.77	12.14	8.81	7.63	6.71	3.61	
1.60V	82.8	67.0	49.0	29.3	20.86	16.95	12.25	9.04	7.70	6.74	3.64	
1.50V	83.8	67.7	49.4	29.5	20.95	16.99	12.28	9.06	7.72	6.75	3.64	

All data and artworks shall be changed without prior notice, BB reserves the right to explain and update the information contained herein.